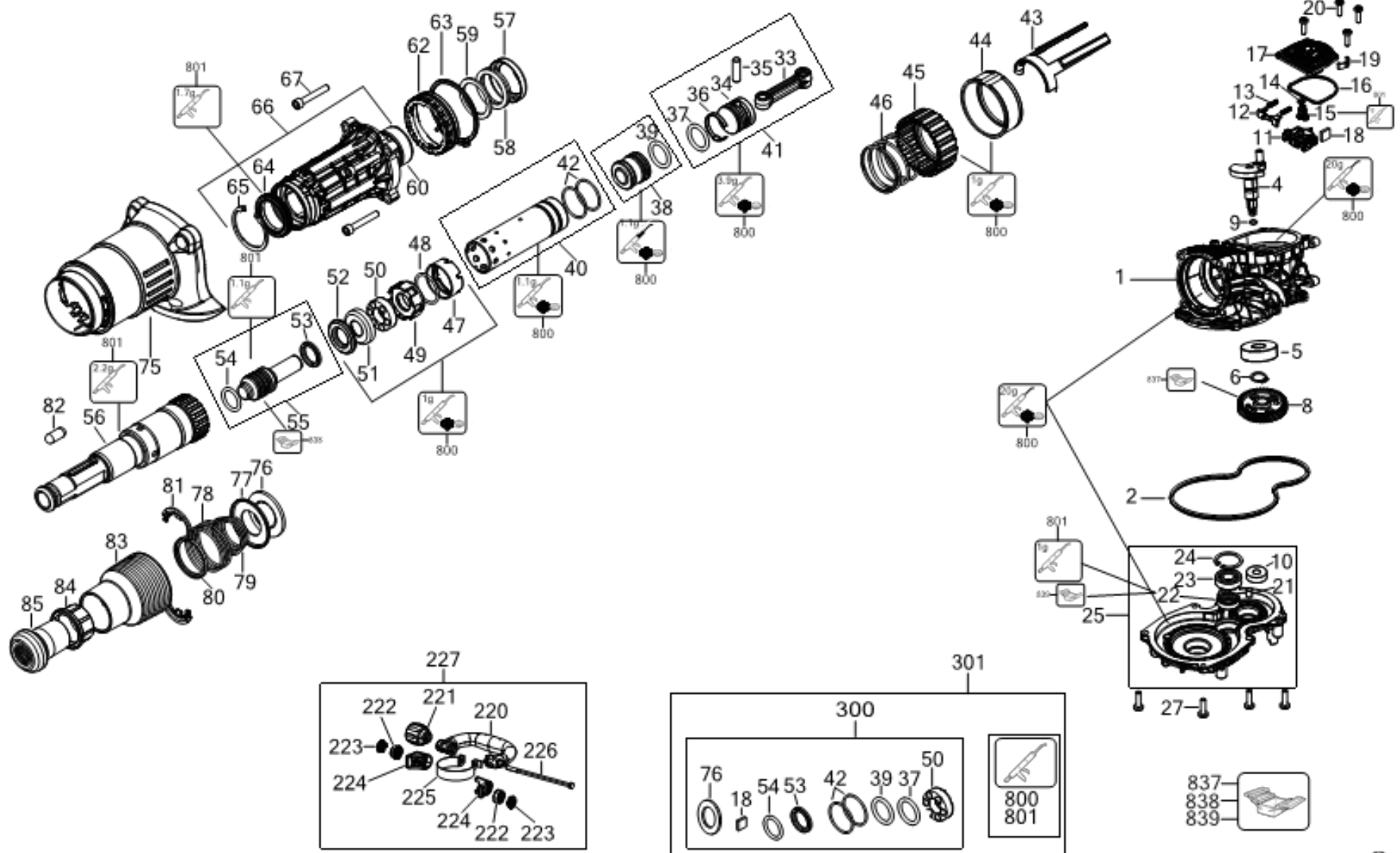


DeWALT

DCH832

TYP.
1



DCH832X2 Gearbox CHIPPING HAMMER 1

©

E21087

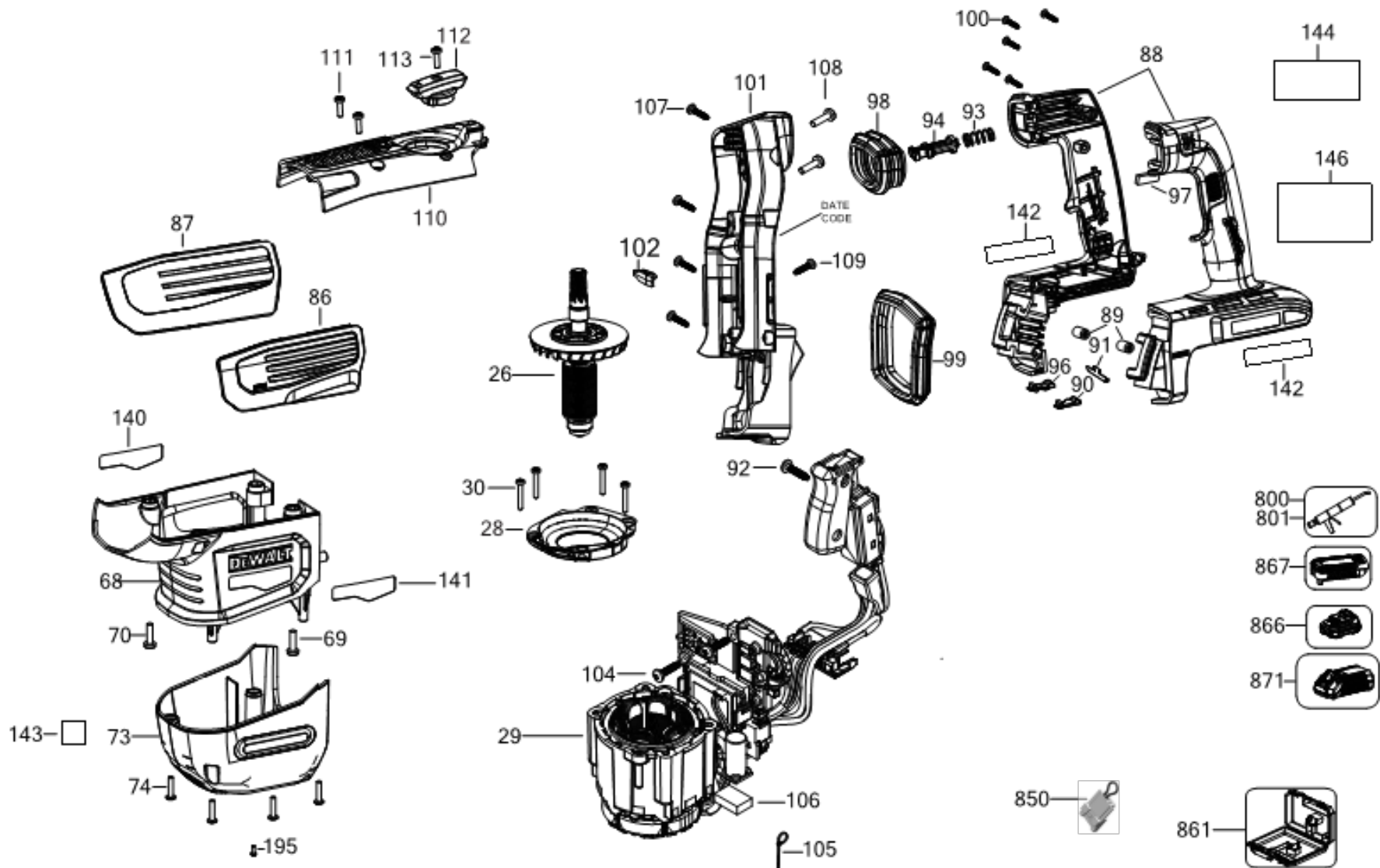
www.2helpu.com

17 - 11 - 2021

DeWALT

DCH832

TYP.
1



DCH832X2 Handle switch sa CHIPPING HAMMER 1

©

E21088

www.2helpu.com

16-11-2021

Parts List DCH832X2 CHIPPING HAMMER 1

Item	Part Number	Qty	Part Description	General Description	Other Info	Repair Inst	Markets
1	N770433	1	HOUSING SA			No	QW
2	N447147	1	SEAL			No	QW
4	N773364	1	CRANKSHAFT			No	QW
5	605040-32	1	BEARING			No	QW
6	N526266	1	CIRCLIP			No	QW
8	N773365	1	GEAR			No	QW
9	323711-26	1	O RING			No	QW
10	N110358	1	BEARING			No	QW
11	N537938	1	SLIDER			No	QW
12	N540705	1	CONNECTOR			No	QW
13	N520791	2	SPRING			No	QW
14	N515556	1	O RING			No	QW
15	N539769	1	ECCENTRIC			No	QW
16	N538422	1	SEAL			No	QW
17	N537843	1	COVER			No	QW
18	N583061	1	FELT			No	QW
19	N520790	1	DETENT			No	QW
20	324007-11	4	SCREW	M5 X 18		No	QW
21	327575-00	1	SLEEVE			No	QW
22	N495599	1	SEAL			No	QW
23	577745-01	1	BEARING,BALL			No	QW
24	488147-01	1	CIRCLIP			No	QW
25	N773366	1	HOUSING SA			No	QW
26	N773657	1	ROTOR SA			No	QW
27	324007-11	6	SCREW	M5 X 18		No	QW
28	N535851	1	BAFFLE FAN			No	QW
29	NA144539	1	MOTOR & SWITCH SA		STATOR SA	No	QW
30	90611830	4	SCREW		SERVICE	No	QW
33	N528347	1	CON ROD			No	QW
34	N526045	1	PISTON			No	QW
35	N550706	1	PIN			No	QW
36	N550147	1	PISTON RING			No	QW

Parts List DCH832X2 CHIPPING HAMMER 1

Item	Part Number	Qty	Part Description	General Description	Other Info	Repair Inst	Markets
37	N550196	1	O RING			No	QW
38	N773624	1	RAM SA			No	QW
39	N550196	1	O RING			No	QW
40	N773631	1	CYLINDER SA			No	QW
41	N773632	1	PISTON SA			No	QW
42	577744-00	2	O RING			No	QW
43	N528300	1	FORK			No	QW
44	N773641	1	SLEEVE			No	QW
45	N773642	1	SLEEVE			No	QW
46	N533753	1	SPRING			No	QW
47	N549690	1	BUSH			No	QW
48	N549912	1	O RING			No	QW
49	N529936	1	BUSH			No	QW
50	N529844	1	DAMPER			No	QW
51	N715616	1	SLEEVE			No	QW
52	N529841	1	WASHER			No	QW
53	N537701	1	SEAL			No	QW
54	N446544	1	O RING			No	QW
55	N773643	1	BEAT PIECE			No	QW
56	N773644	1	SPINDLE			No	QW
57	N536519	1	SLEEVE			No	QW
58	N535959	1	DAMPER			No	QW
59	N440708	1	WASHER			No	QW
60	N538127	1	BEARING			No	QW
62	N534851	1	SPINDLE LOCK			No	QW
63	N526258	1	GASKET			No	QW
64	N538669	1	SEAL			No	QW
65	N538725	1	CIRCLIP			No	QW
66	N773646	1	HOUSING SA			No	QW
67	918825-02	4	SCREW			No	QW
68	N550171	1	HOUSING MOTOR			No	QW
69	324007-11	2	SCREW	M5 X 18		No	QW

Parts List DCH832X2 CHIPPING HAMMER 1

Item	Part Number	Qty	Part Description	General Description	Other Info	Repair Inst	Markets
70	N605427	2	SCREW			No	QW
73	N550184	1	END CAP			No	QW
74	330065-08	4	SCREW	M4x18 T20		No	QW
75	N550186	1	COVER			No	QW
76	N810029	1	FELT			No	QW
77	N465749	1	WASHER			No	QW
78	323395-06	1	SPRING			No	QW
79	487118-00	1	SPRING			No	QW
80	N464690	1	GUIDE			No	QW
81	N468172	2	LOCKING PIN			No	QW
82	325878-00	2	ROLLER			No	QW
83	N464913	1	SLEEVE			No	QW
84	326575-01	1	COLLAR			No	QW
85	N465586	1	LIP SEAL			No	QW
86	N550219	1	PANEL LH			No	QW
87	N550222	1	PANEL RH			No	QW
88	NA010449	1	CLAMSHELL SET			No	QW
89	N487311	2	RUBBER			No	QW
90	N438439	1	INSERT			No	QW
91	N467560	1	PLATE			No	QW
92	330065-08	1	SCREW	M4x18 T20		No	QW
93	N106188	1	SPRING COMPRESSION			No	QW
94	N152623	1	STOP			No	QW
96	N438438	1	INSERT			No	QW
97	620051-00	1	PAD			No	QW
98	N497943	1	BELLOWS			No	QW
99	N588809	1	BELLOWS			No	QW
100	330065-08	7	SCREW	M4x18 T20		No	QW
101	NA092106	1	CLAMSHELL SET			No	QW
102	N633441	1	LENS			No	QW
104	330065-08	2	SCREW	M4x18 T20		No	QW
105	361886-00	2	CABLE TIE			No	QW

Parts List DCH832X2 CHIPPING HAMMER 1

Item	Part Number	Qty	Part Description	General Description	Other Info	Repair Inst	Markets
106	620051-00	1	PAD			No	QW
107	330065-08	4	SCREW	M4x18 T20		No	QW
108	324007-11	4	SCREW	M5 X 18		No	QW
109	330065-08	2	SCREW	M4x18 T20		No	QW
110	N693236	1	COVER-TOP			No	QW
111	324007-11	2	SCREW	M5 X 18		No	QW
112	NA108690	1	SELECTOR SA		GREY	No	QW
113	330065-08	1	SCREW	M4x18 T20		No	QW
140	NA123166	1	LABEL			No	QW
141	NA123168	1	LABEL			No	QW
142	N929414	2	LABEL			No	QW
143	N507221	1	LABEL		NOISE	No	QW
144	N208653	1	LABEL			No	QW
146	NA114353	1	RATING PLATE			No	QW
195	90611830	2	SCREW			No	QW
220	N536691	1	SIDE HANDLE			No	QW
221	487291-00	1	KNOB SA			No	QW
222	479317-00	2	WASHER LOCK			No	QW
223	479319-00	2	CLAMPING INSERT			No	QW
224	479320-00	2	WASHER CLAMP			No	QW
225	N470725	1	CLAMP			No	QW
226	487343-00	1	BOLT			No	QW
227	N470872	1	LOOP HANDLE			No	QW
300	N773659	1	SERVICE KIT			No	QW
800	578970-06	1	GREASE 150 GMS			No	QW
801	870889-02	1	GREASE			No	QW
837	1003981-99	1	S.T.PULLER			No	QW
838	1003972-99	1	S.T.SEAL FITTING TOOL			No	QW
838	1003982-99	1	S.T.SEAL FITTING TOOL			No	QW
839	1003984-99	1	S.T.SEAL FITTING TOOL			No	QW
850	N544162	1	SERVICE TOOL			No	QW
861	NA087802	1	KITBOX			No	QW

Parts List DCH832X2 CHIPPING HAMMER 1

Item	Part Number	Qty	Part Description	General Description	Other Info	Repair Inst	Markets
866	N491552	2	BATTERY 3 X18V-9.0AH-162WH	DCB547-XJ		No	QW
867	N462141	1	SAFETY CAP			No	QW
871	N473860	1	CHARGER	DCB118-QW		No	QW